

# **IC SERIES**

## TCP/IP Access Controller

User Manual

## 1. Feature

Function Name	Description
In/out management	Can check in/out time of everyone, suit for in/out personnel management of all kind of site.
Time & Attendance	Suit for checking employees' attendance status & doing statistical management of corporation, government departments.
Access control setting	Can set who/when/how can access
Opening door by cell phone	Open door by cell phone through WIFI
Anti-passback of 1 door	Must swipe card to enter in and only swipe the same card to exit; To prevent people following enter & exit; Suit for facility with high security requirements.
Opening door by multi-card	Swipe multiple cards, door will be opened.
Opening door by first card	Must swipe the first card, the others can enter by swiping their card. Suit for confidential department.

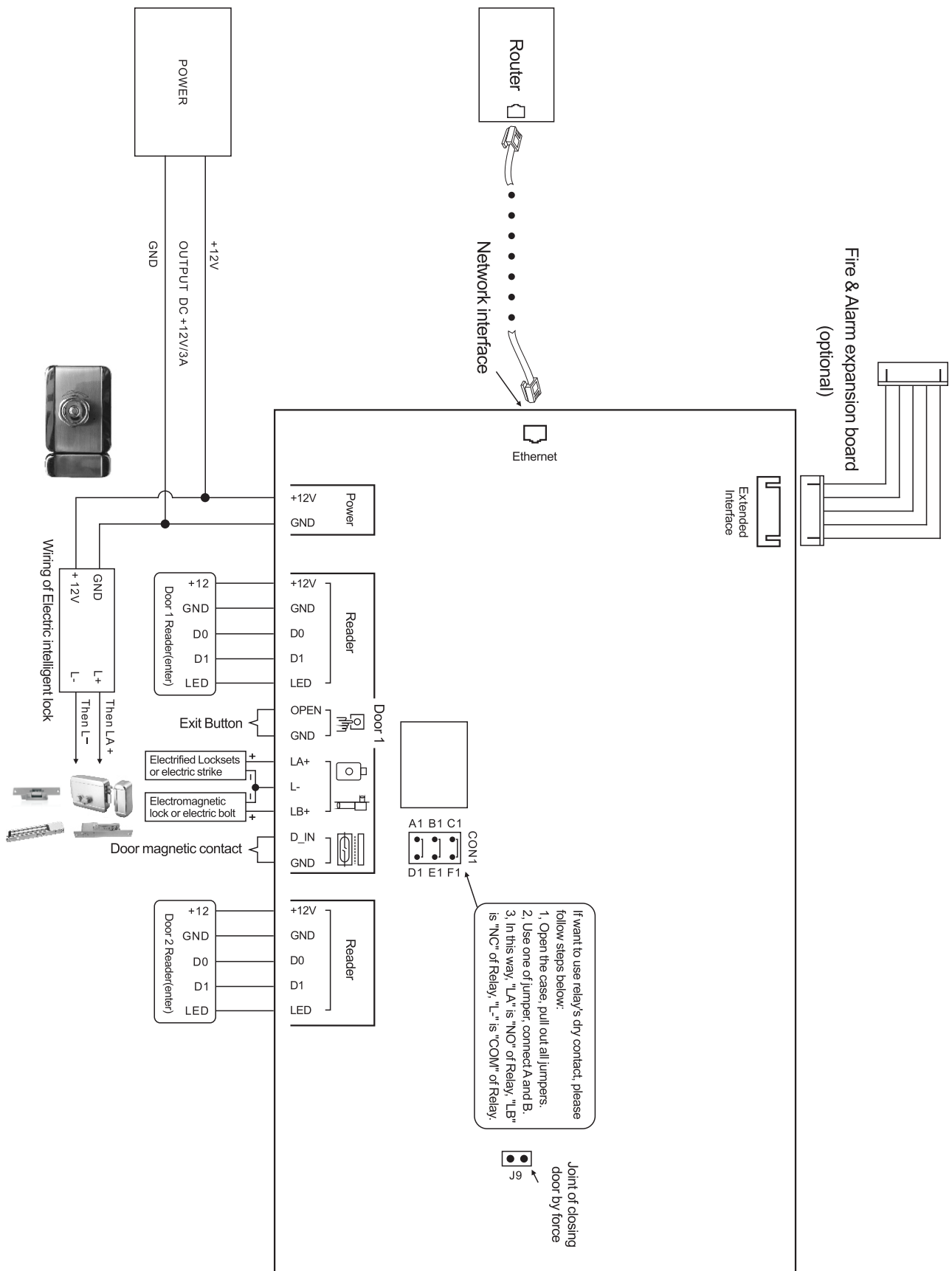
## 2. Technical Parameters

- > Control doors: IC101 controls 1 door; IC102 controls 2 doors; IC104 controls 4 doors.
- > Quantity of connecting Reader: 2 for IC101(enter & exit by swiping card)  
4 for IC102 (enter & exit by swiping card)  
4 for IC104 (enter by swiping card)
- > User capacity: 20,000 pcs
- > Event log: 100,000pcs (can be saved on controller permanently)
- > Way of opening door: card; card + PIN; multi-cards; first card etc.
- > Communication standard: TCP/IP
- > Language of Software kit: Chinese & English
- > Support database: Access and SQL
- > Dimensions: 163mm×125mm×25mm (IC101)  
201mm×125mm×32mm (IC102, IC104)
- > Requirement of power supply: DC 12V/3A
- > Idle current: ≤ 120mA
- > Input format of card data from reader: Wiegand 26, 34 bit
- > Input format of pressing keypad of reader: 4bit or 8bit (ACII)
- > Delay time of opening door: 1-600s optional
- > The maximum number of controller connecting in LAN: no limit
- > Operating temperature: -40-60℃
- > Operating humidity: 10-95%(non - condensing )
- > The max distance between reader and controller: 100meter (cable requirement: RVV1.0)
- > The max distance between controller and controller: depending on network coverage

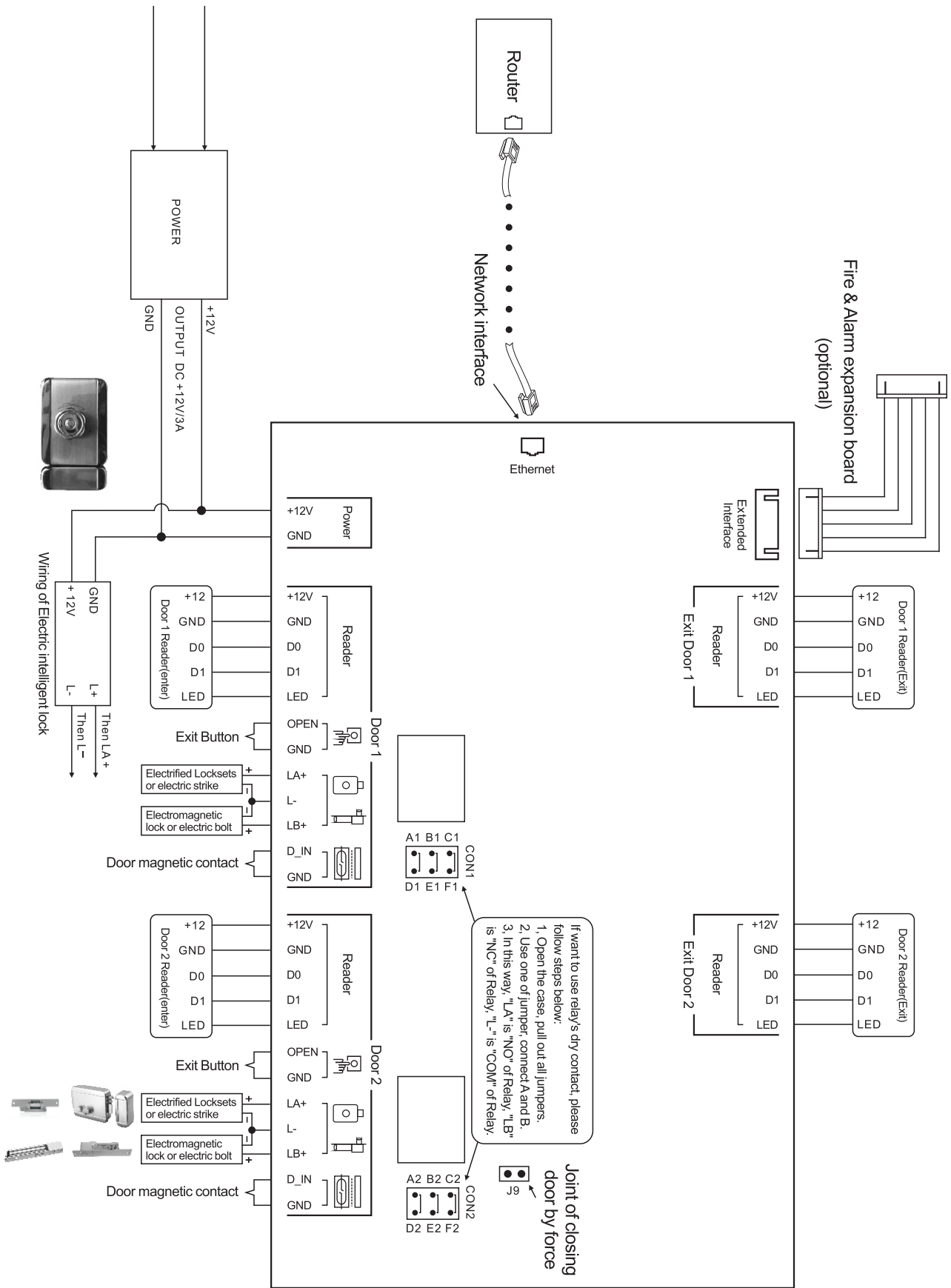
## 3. Packing List

Name	Quantity	Remark
IC 101, IC102 or IC104 controller	1	IC101 without metal case
CD	1	
User manual	1	
Rubber Bungs	4	For installation
Self-tapping Screws	4	For installation

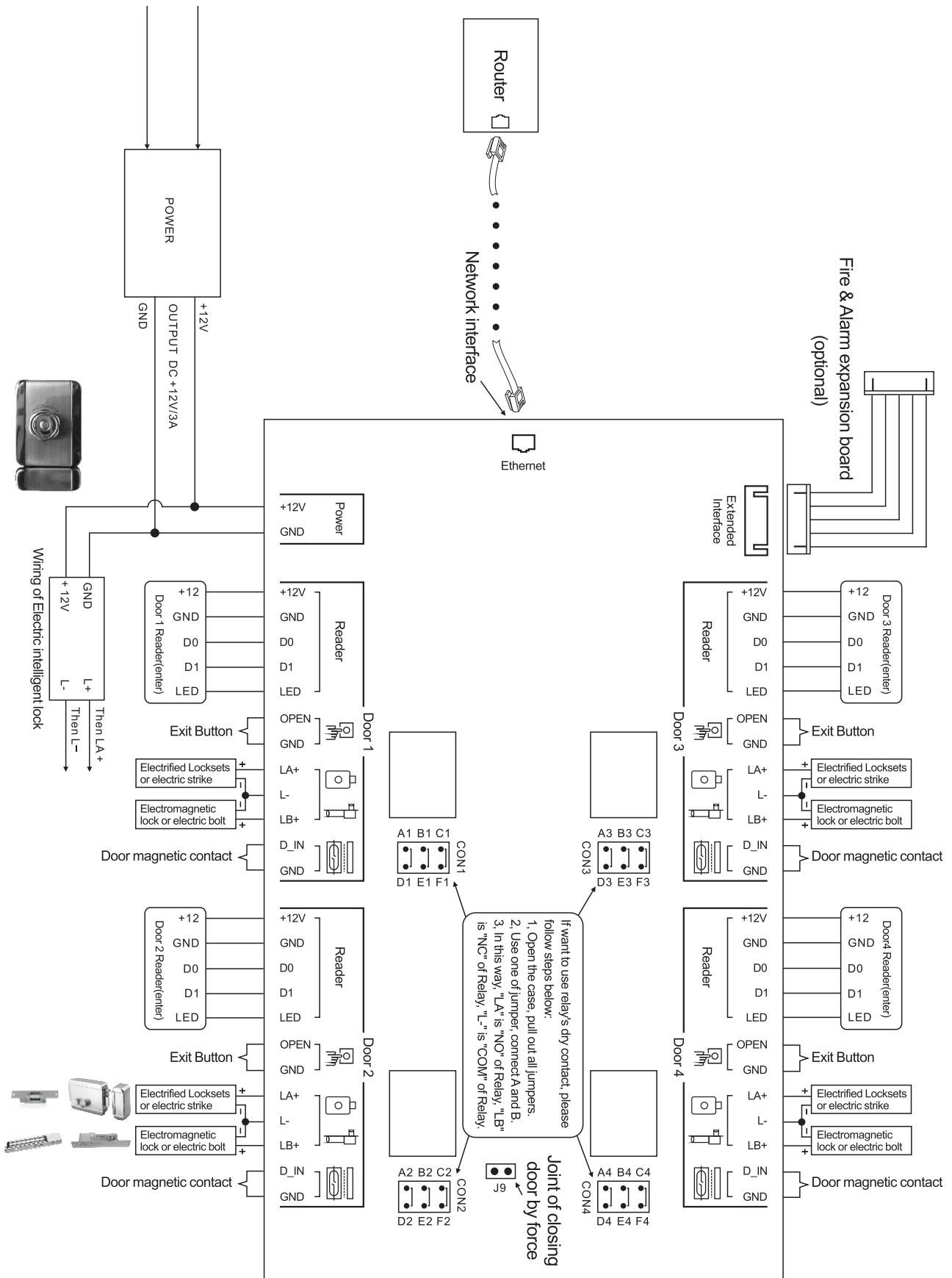
# 4. IC101 Wiring Diagram of TCP/IP 1-Door Network Access Controller



# 5. IC102 Wiring Diagram of TCP/IP 2-Door Network Access Controller

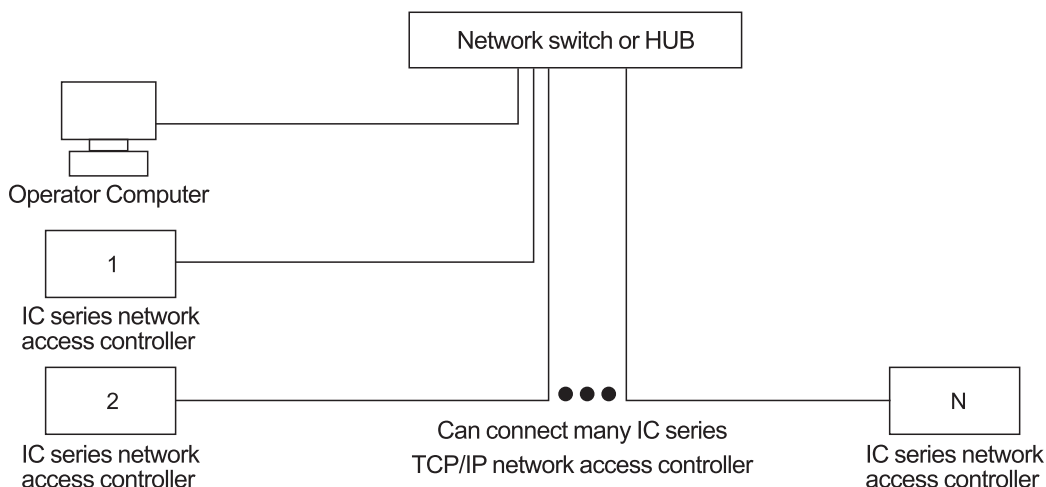


# 6. IC104 Wiring Diagram of TCP/IP 4-Door Network Access Controller

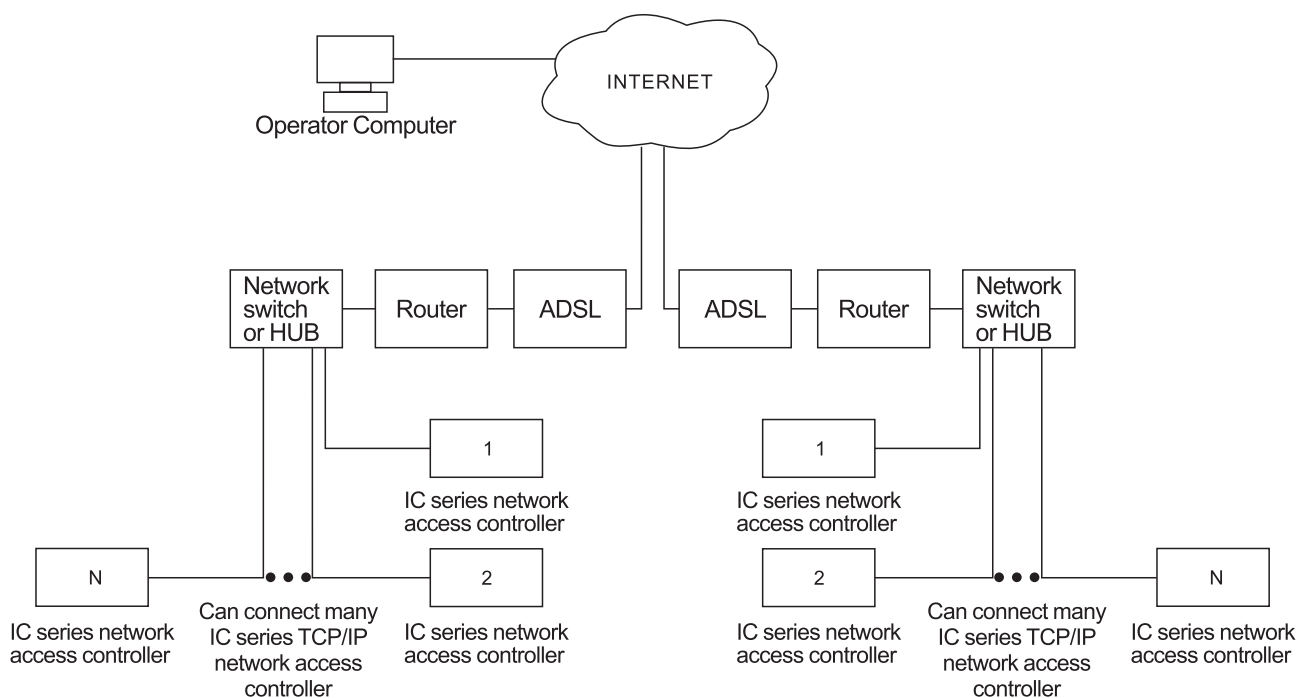


## 7. Wiring Diagram of LAN and WAN

### 7.1 Wiring Diagram of LAN



### 7.1 Wiring Diagram of WAN



## 8. Fire & Alarm Expansion Board(Optional)

### 8.1 Introduction

Fire & Alarm expansion board is add-on module of network access controller, can set by software, mainly for Fire & Alarm signals output.

## 8.2 Module Features:

8.2.1 4-way alarm output. You can set function to which door or which doors of the controller accordingly .

8.2.2 Can connect the fire signal input, when fire signal received, doors in the controlled area will open automatically, and generate a fire alarm record, for later checking.

8.2.3 Can support break in alarm, long time unlocking alarm, forced into alarm, invalid card alarm, fire& alarm linkage etc.

8.2.4 Can set delay time of each output from 0 to 600 seconds.

## 8.3 Wiring Diagram

